

MTD-4024E/ 4024C

24" Multi-Touch 16:9 Full HD Projected Capacitive Industrial Display, optional IP65 Waterproof



Features

- 24" LCD Display supports up to 16 : 9 Full HD 1920 x 1080 resolution
- Industrial grade LCD Panel with high reliable LED Backlight, up to 50,000hrs
- Projected Capacitive 10-point Multi-Touch Screen
- 7H Hardness Anti-Scratch Surface
- Touchscreen works with gloves
- Supports VGA, DVI-D and HDMI Interface
- Landscape Mode and Portrait Mode supported
- Mounting : VESA Mount, Panel Mount
- IP65 Front Panel Protection (Optional)



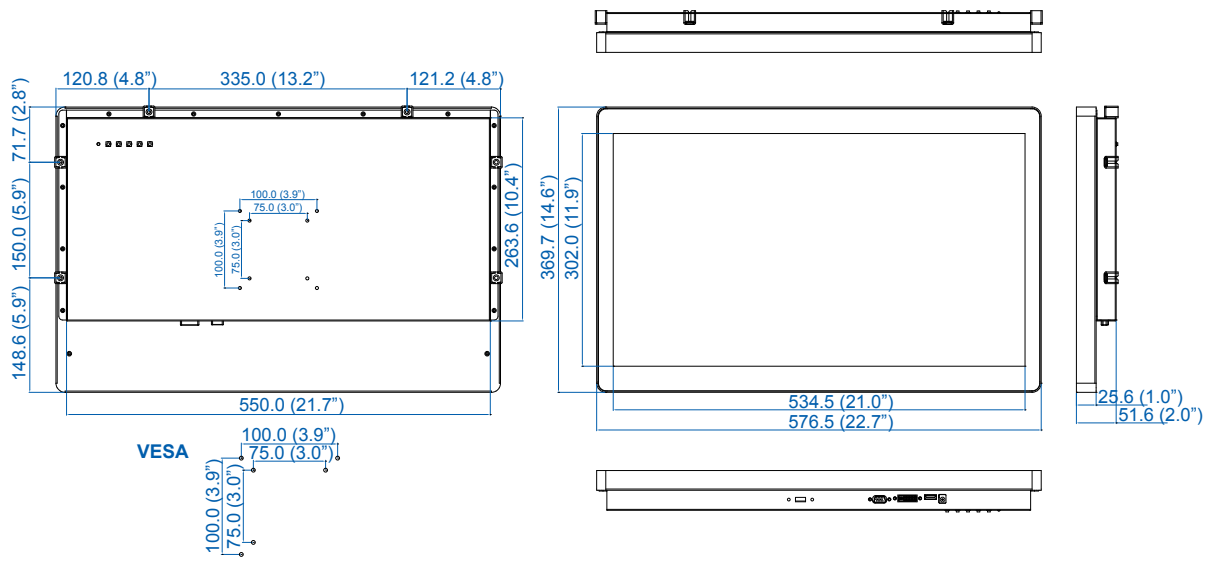
Specifications

Panel	
Panel Type	TFT LCD
Active Area	24" (16 : 9)
Max. Resolution	1920 x 1080 (Full HD)
Display Color	MTD-4024E : 16.7M (RGB 8-bit) MTD-4024C : 16.7M (RGB 6-bit + Hi_FRC)
Brightness (cd/m ²)	MTD-4024E : 300 MTD-4024C : 250
Contrast Ratio	MTD-4024E : 3000 : 1 MTD-4024C : 1000 : 1
Viewing Angle	MTD-4024E : 178°/178° (H/V) MTD-4024C : 170°/160° (H/V)
Backlight	LED Backlight
Backlight Life	MTD-4024E : 50,000hrs MTD-4024C : 30,000hrs
Touch Screen	
Touch Screen Type	10-point Projected Capacitive
Transparency	≥ 85%
Surface Hardness	7H Surface Hardness
Control Interface	USB Interface
System	
Power Input	DC-in 12V
Power Interface	DC Jack
Power Adapter	AC to DC 60W Power Adapter
Video Interface	1 VGA, 1 DVI-D, 1 HDMI
OSD Control	5 OSD Keypad for Function Management
OSD Language	Multi Language
Mechanical	
Dimensions (W x H x L)	MTD-4024E : 576.5mm x 369.7mm x 51.6mm (22.7" x 14.6" x 2.0") MTD-4024C : 576.5mm x 369.7mm x 45.1mm (22.7" x 14.6" x 1.78")
Weight	MTD-4024E : 9.0 kg (19.8 lb) MTD-4024C : 8.6 kg (19.0 lb)
Front Panel Protection	IP65 Compliant (Optional)
Mounting	▪ VESA Mount (75 x 75mm, 100 x 100mm) ▪ Panel Mount

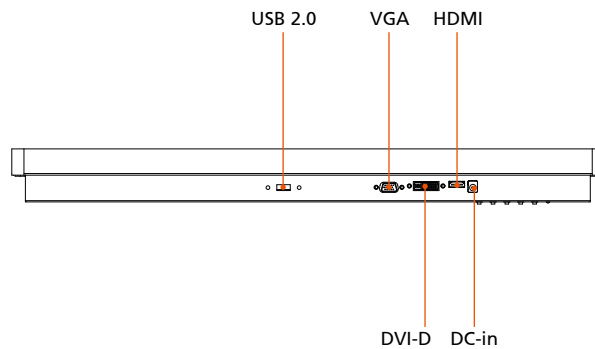
Environment	
Operating Temperature	0°C to 50°C (32°F to 122°F)
Storage Temperature	-20°C to 60°C (-4°F to 140°F)
Humidity	5% to 90% Humidity, non-condensing
Shock	▪ IEC 60068-2-27 ▪ 20G, Half-sine, 11ms
Vibration	▪ IEC 60068-2-64 ▪ Non-operation : 10Hz to 200Hz, 1.5Grms, X, Y, Z, 30 mins each Axis
Certification	CE, FCC
Accessory List	
VGA Cable x1	
USB-A Cable (M) x1	

Dimensions

Unit : mm/ inch



I/O



Order Information

MTD-4024E	24" Multi-Touch 16:9 Full HD Projected Capacitive Display with Industrial Grade LCD
MTD-4024EP	24" Multi-Touch 16:9 Full HD Projected Capacitive Display with Industrial Grade LCD, IP65 Front Panel
MTD-4024C	24" Multi-Touch 16:9 Full HD Projected Capacitive Display
MTD-4024CP	24" Multi-Touch 16:9 Full HD Projected Capacitive Display, IP65 Front Panel
PWA-60W	60W, 12V 100V AC to 240V AC Power Adapter for DC Jack
Panel-Mount	Panel Mount Kit
VESA Stand	VESA Table Stand
CAB_DVI	DVI Cable (M)
CAB_HDMI	HDMI Cable